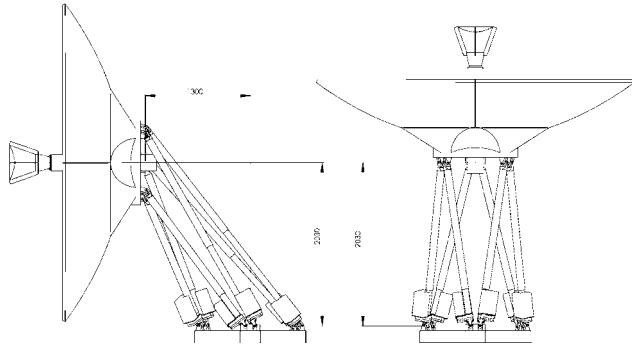
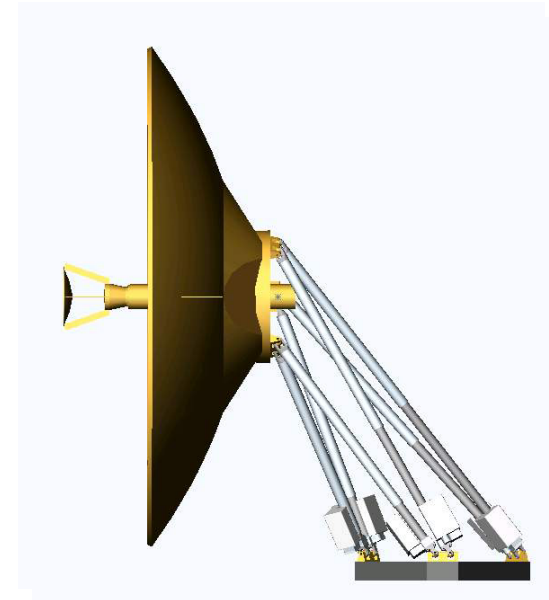


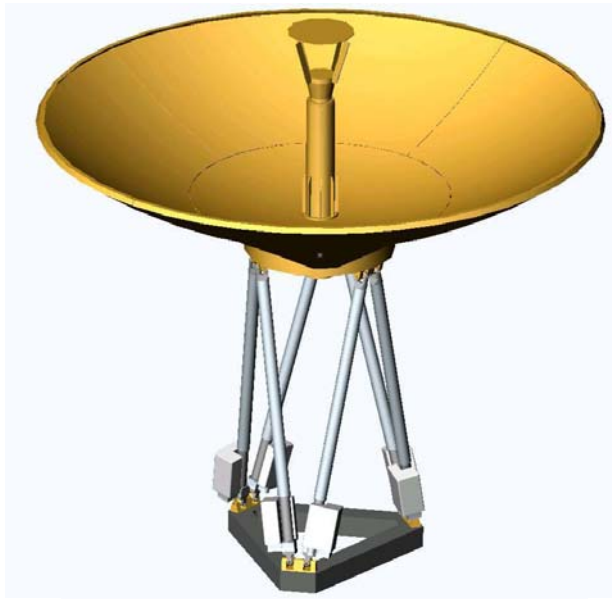
# 3.7m Hexapod antenna

(3.7m六杆转台天线)

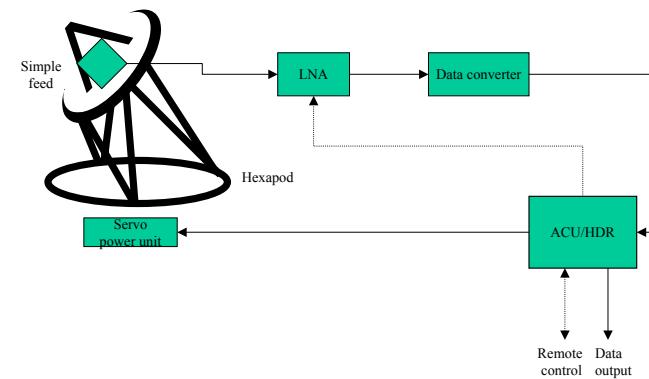


IN-SNEC





## Low cost positioning system 低成本定位系统



IN-SNEC

## 3.7 m X band compact antenna

- ◆ Hexapod mechanism
- ◆ Small diameter  
-> guaranteed accuracy in ephemeris mode : no need for tracking
- ◆ 30.5 dBK G/T at 15° elevation or 28.8 dBK at 5° elevation ( equivalent to 4.5 m)
- ◆ Easily transportable even by aircraft
- ◆ Unit price without equivalent on the market



IN-SNEC

## 3.7m X波段紧凑型天线

- ◆ 六杆转台机械装置
- ◆ 小直径  
->在Ephemeris 模式下保证精度，无需跟踪
- ◆ 在15°仰角时，30.5dBk G/T（天线增益/噪声温度）或在5°仰角时，28.8dBk G/T(等效于4.5m)
- ◆ 易于运输
- ◆ 市面上无同等价格产品



IN-SNEC